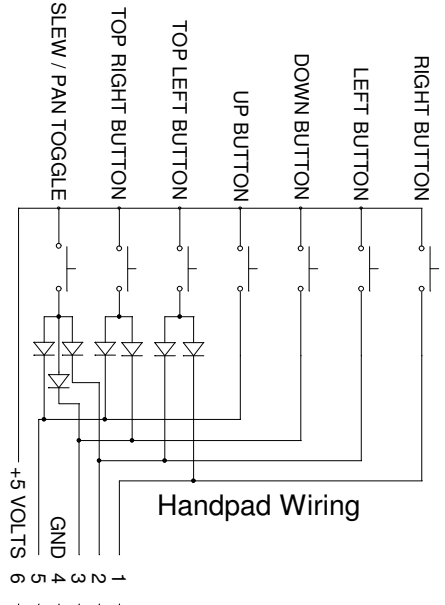
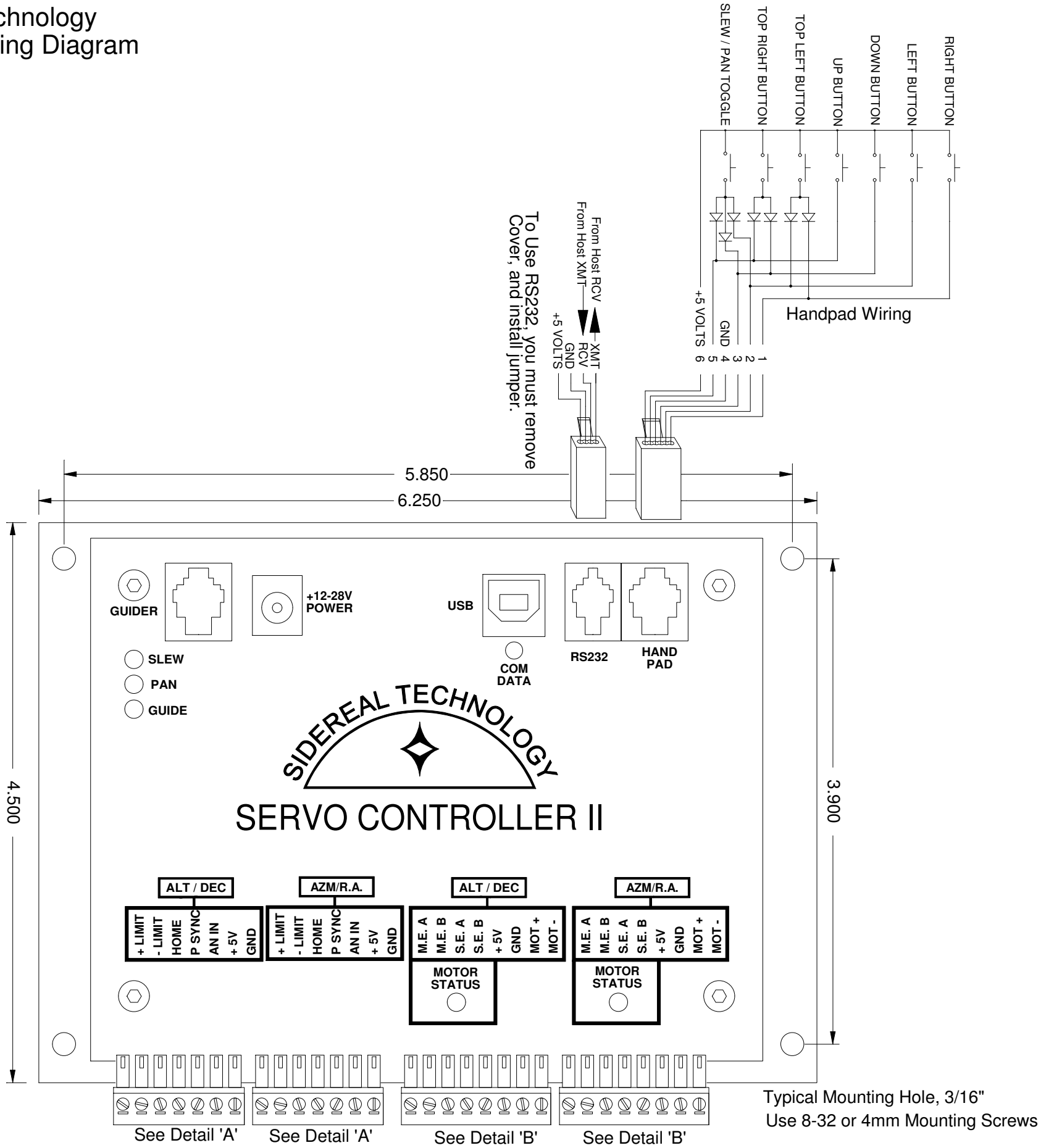
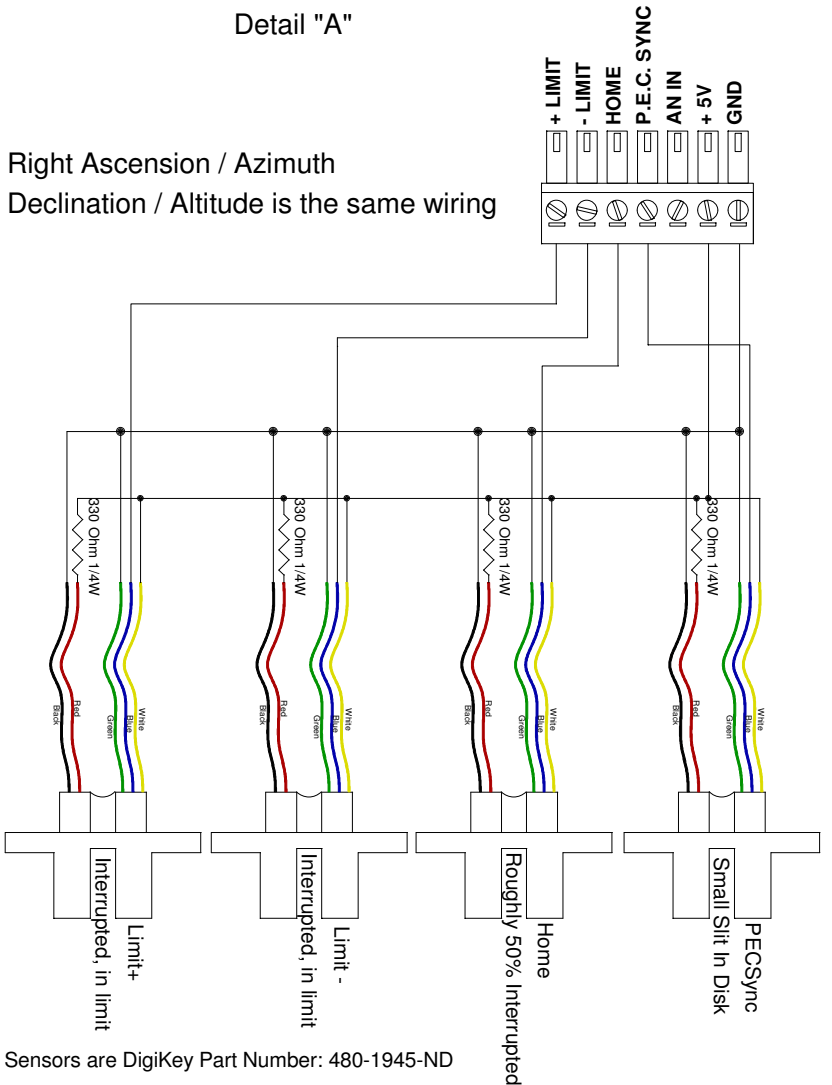


Sidereal Technology  
 Servo II Wiring Diagram  
 2012-11-24



Detail "A"

Right Ascension / Azimuth  
 Declination / Altitude is the same wiring



Detail 'B'

Right Ascension / Azimuth  
 Declination / Altitude is the same wiring

Encoder Inputs are TTL ( 0-+5V )  
 For RS422, connect A+ to A and B+ to B

